

LINK ASSY/ROLLER REPLACEMENT QUICK REFERENCE

LOCATING ROOM SOLENOID VALVES

1. Extend or retract the room as needed so that the room is extended approximately 6".
2. Open the corresponding set of Solenoid Valves. To identify the corresponding set of Solenoid Valves use the diagrams shown on this page.

FIRST: Identify which pair of solenoids controls the room in question. The rooms are USUALLY numbered counterclockwise starting with the first room behind the driver. See FIGURE 1.

Solenoid valves on the power unit are USUALLY numbered from Right to Left when viewed from the motor end. See FIGURE 2A.

Check that the wires labeled ROOM 1 EXTEND or CYLINDER 1 EXTEND and ROOM 1 RETRACT or CYLINDER 1 RETRACT etc. are connected to the appropriate pair of solenoids.

SECOND: Verify that the correct set of valves have been selected by unplugging the valves in question and operating the Room Control Switch of the malfunctioning room. If the pump operates, but the room does NOT move, the correct set of valves has been selected.

THIRD: Using a 1/4" nut driver and turning in a counterclockwise direction, open the Valve Release Nuts of both the EXTEND and the RETRACT solenoid valves for the corresponding room.

IMPORTANT: DO NOT turn the release nuts more than 4 and 1/2 turns. Turning the nuts more could damage the valve.

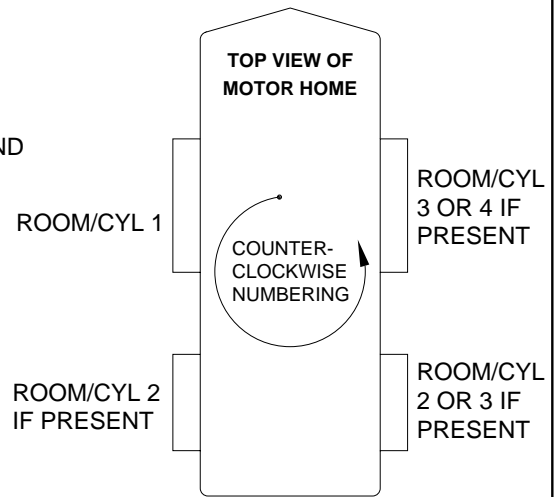


FIGURE 1

HYDRAULIC PUMP SHOWN WITH A THREE FUNCTION ROOM EXTENSION MANIFOLD. MORE OR LESS SETS OF SOLENOID VALVES MAY BE PRESENT ON YOUR ROOM MANIFOLD. THE NUMBERING ORDER WILL STILL BE RIGHT TO LEFT FROM THE PUMP MOTOR END.

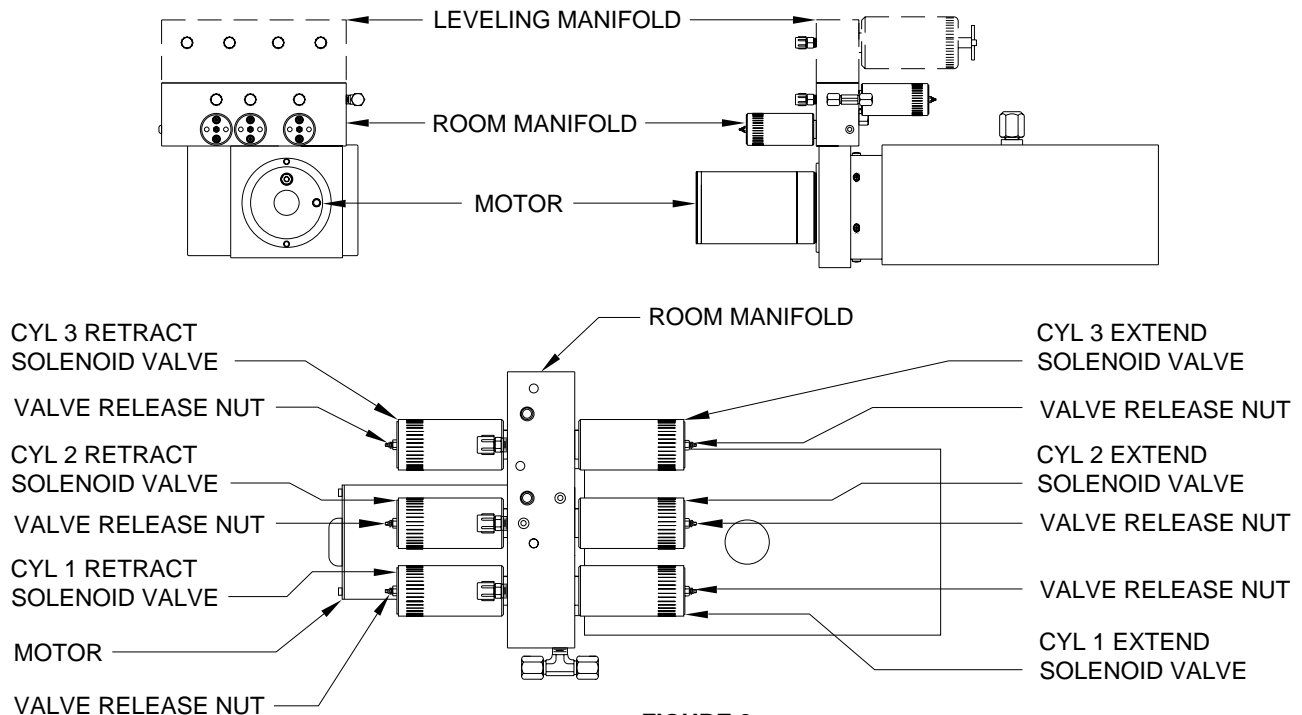


FIGURE 2

LINK ASSY/ROLLER REPLACEMENT QUICK REFERENCE

DISASSEMBLY / ASSEMBLY

LINK ASSEMBLY REPLACEMENT - USE: RAP91670 KIT
ROLLER ONLY REPLACEMENT - USE: RAP91644 KIT

DISASSEMBLY / ASSEMBLY:

CAUTION: DO NOT ATTEMPT TO OPERATE THE ROOM OR THE LEVELING SYSTEM DURING REPAIR PROCEDURES. PERSONAL INJURY AND/OR EQUIPMENT DAMAGE MAY RESULT.

1. Carefully remove coverings to expose the frame of the room and the mechanism itself.

NOTE: You may need to consult the vehicle manufacturer for removal information.

NOTE: If an upper chain is to be repaired the room may need to be levered and supported at the front edge. See LEVERAGE/SUPPORT DIAGRAM.

2. Using a 0.250 diameter drill remove the exposed face of the rivet. If the mushroomed face of the rivet is exposed simply drill into the rivet until the face separates from the rivet. If the flat face is exposed, center punch the face before drilling.
3. Using a punch drive the remaining rivet only as far as needed to remove and replace the damaged roller.

NOTE: Leaving the rivet holding the two inside links together may make the job of replacing the rivet with the replacement pin easier.

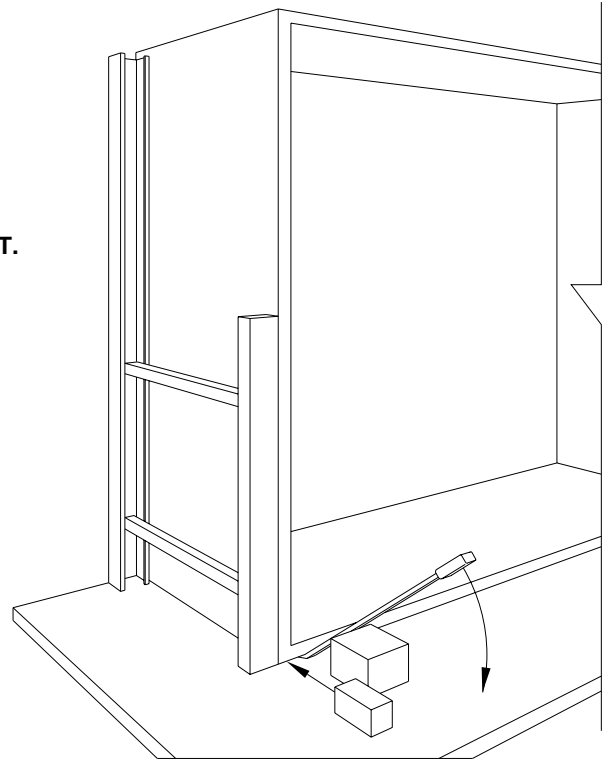
4. Insert the replacement pin through the first two links.
5. Insert replacement roller.
6. Continue inserting the replacement pin through the roller and last two links pushing the rivet out as you go.

NOTE: If greater than hand force is required to push the remaining rivet out be careful to not damage the snap ring seat of the replacement pin.

7. When the replacement pin is inserted far enough place a provided retainer clip at either end of the pin.
8. Close the Solenoid valves opened earlier.

IMPORTANT: Once the manual valve release is snug, DO NOT tighten the manual valve release past this point as internal damage may occur to the solenoid.

9. Clear all debris away from the room and it's moving components.
10. Test the room to make sure it is in correct working order.
11. Continue reassembling the room.



LEVERAGE/SUPPORT DIAGRAM

Using a leverage block and a pry bar within 6 inches of the lower corner of the room lift and support the corner using a support block that raises the room 1/4" higher than normal resting height.

