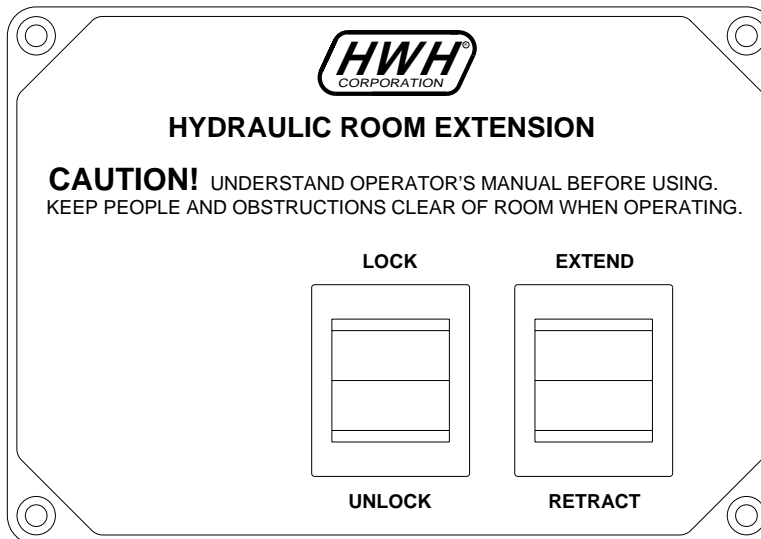




# MANUAL TRAVEL CLAMPS WITH HWH ROOM EXTENSIONS

## **FEATURING:**

*Two Rocker Switch Control Panel  
225 Series Joystick Leveling System*



## **HWH CORPORATION**

(On I-80, Exit 267 South)

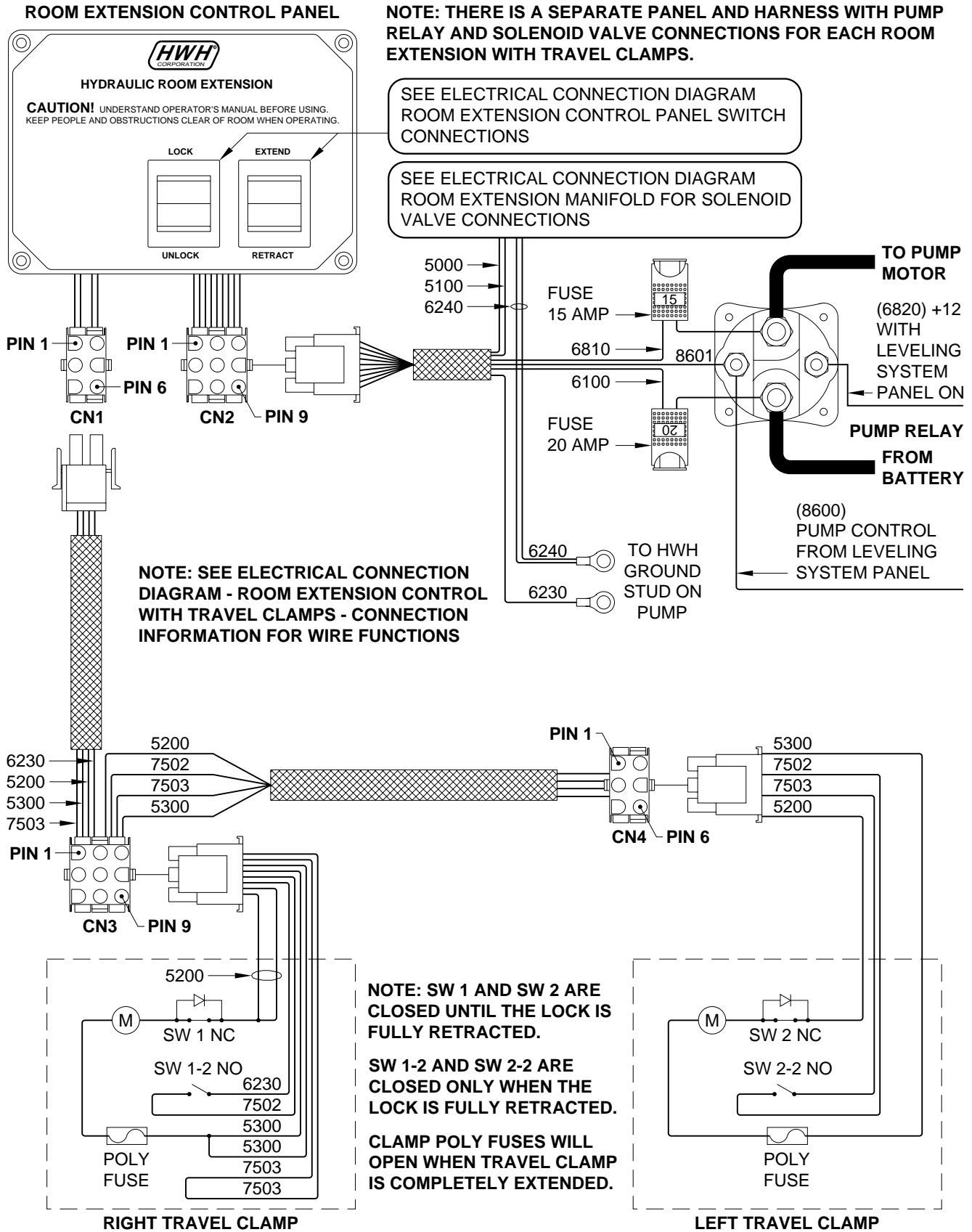
2096 Moscow Road | Moscow, Iowa 52760

Ph: 800/321-3494 (or) 563/724-3396 | Fax: 563/724-3408

[www.hwh.com](http://www.hwh.com)

# ELECTRICAL CONNECTION DIAGRAM

## ROOM EXTENSION CONTROL WITH TRAVEL CLAMPS

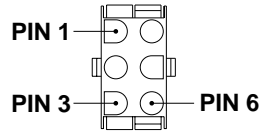


# ELECTRICAL CONNECTION DIAGRAM

## ROOM EXTENSION CONTROL WITH TRAVEL CLAMPS

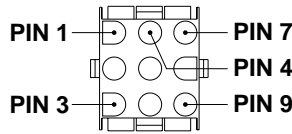
### CONNECTION INFORMATION

**CN1 - 6 PIN UML CONNECTOR**



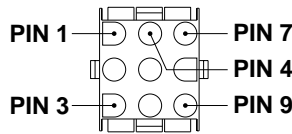
PIN #	WIRE COLOR	WIRE NUMBER	WIRE DESCRIPTION AND FUNCTION
1	WHITE	6230	GROUND TO RIGHT CLAMP SWITCH 1-2
2	BLACK	5300	CLAMP MOTOR SUPPLY - UNLOCK (GROUND) - LOCK (+12)
3	BLACK	5200	CLAMP MOTOR SUPPLY - UNLOCK (+12) - LOCK (GROUND)
4	BLACK	7503	GROUND TO ROOM CONTROL SWITCH - PUMP CONTROL
5 AND 6			NO CONNECTION

**CN2 - 9 PIN UML CONNECTOR**



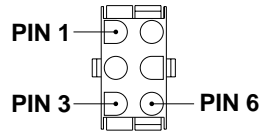
PIN #	WIRE COLOR	WIRE NUMBER	WIRE DESCRIPTION AND FUNCTION
1 AND 2	WHITE	6230	GROUND TO ROOM CLAMP SWITCH 1-2
3 AND 4	RED	6100	+12 BATTERY TO ROOM CLAMP CONTROL SWITCH
5	BLACK	5000	SWITCHED +12 FOR ROOM CYL EXTEND SOLENOID VALVE
6	BLACK	5100	SWITCHED +12 FOR ROOM CYL RETRACT SOLENOID VALVE
7	BLACK	8601	SWITCHED GRND FOR PUMP CONTROL FROM ROOM CONTROL SWITCH
8 AND 9	RED	6810	SWITCHED +12 FROM PUMP RELAY TO ROOM CONTROL SWITCH

**CN3 - 9 PIN UML CONNECTOR**



PIN #	WIRE COLOR	WIRE NUMBER	WIRE DESCRIPTION AND FUNCTION
1	BLACK	5200	RIGHT CLAMP MOTOR SUPPLY - UNLOCK (+12) - LOCK (GROUND)
2	WHITE	6230	GROUND TO RIGHT CLAMP SWITCH 1-2
3	BLACK	7502	SWITCHED GRND FROM RIGHT CLAMP SW 1-2 TO LEFT CLAMP SWITCH 2-2
4	BLACK	7503	SWITCHED GRND FROM LEFT CLAMP SWITCH 2-2 TO ROOM CONTROL SWITCH
5	BLACK	5300	RIGHT CLAMP MOTOR SUPPLY - UNLOCK (GROUND) - LOCK (+12)
6	BLACK	5300	TO LEFT CLAMP MOTOR SUPPLY - UNLOCKED (GROUND) - LOCK (+12)
7	BLACK	7503	SWITCHED GROUND FROM LEFT CLAMP SWITCH 2-2
8	BLACK	5200	TO LEFT CLAMP MOTOR SUPPLY - UNLOCK (+12) - LOCK (GROUND)
9			NO CONNECTION

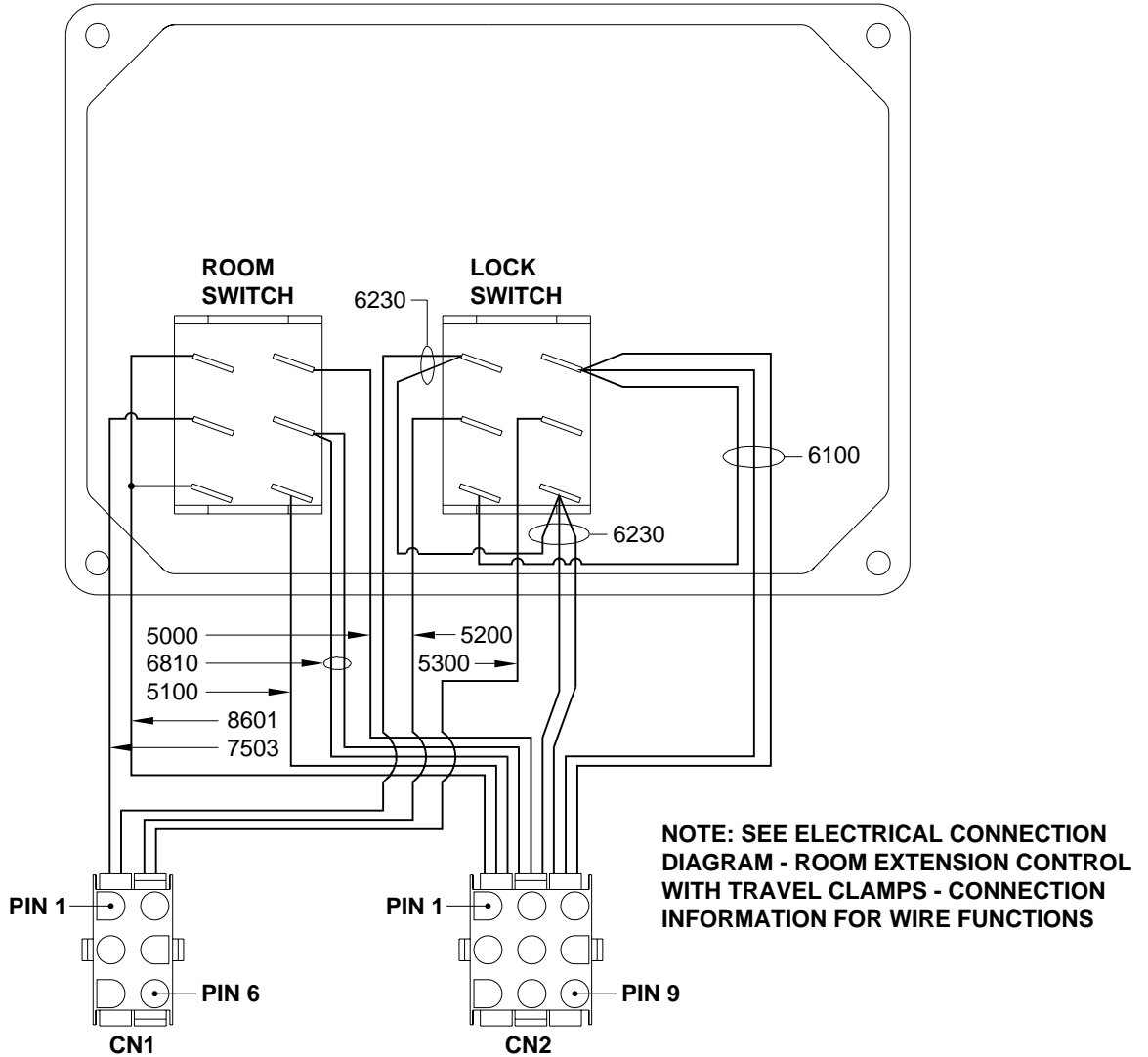
**CN4 - 6 PIN UML CONNECTOR**



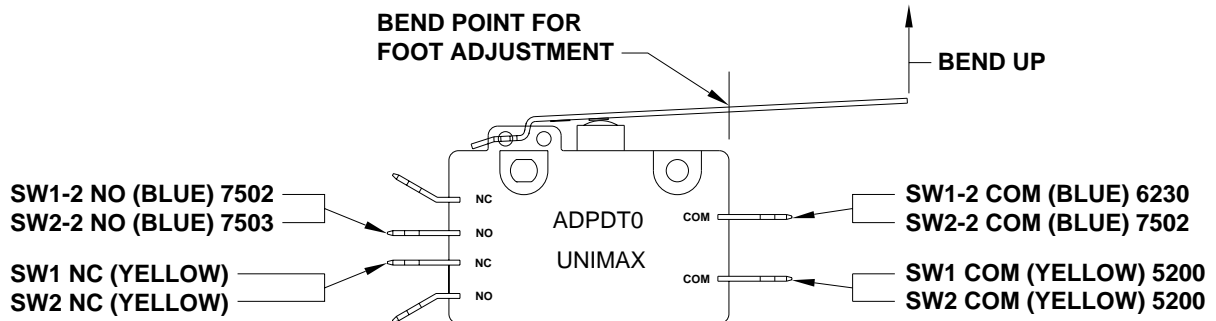
PIN #	WIRE COLOR	WIRE NUMBER	WIRE DESCRIPTION AND FUNCTION
1	BLACK	5200	LEFT CLAMP MOTOR SUPPLY - UNLOCK (+12) - LOCK (GROUND)
2	BLACK	7502	SWITCHED GRND FROM RIGHT CLAMP SW 1-2 TO LEFT CLAMP SW 2-2
3	BLACK	7503	SWITCHED GRND FROM LEFT CLAMP SWITCH 2-2 TO ROOM CONTROL SWITCH
4	BLACK	5300	LEFT CLAMP MOTOR SUPPLY - UNLOCK (GROUND) - LOCK (+12)
5 AND 6			NO CONNECTION

# ELECTRICAL CONNECTION DIAGRAM ROOM EXTENSION CONTROL PANEL SWITCH CONNECTIONS

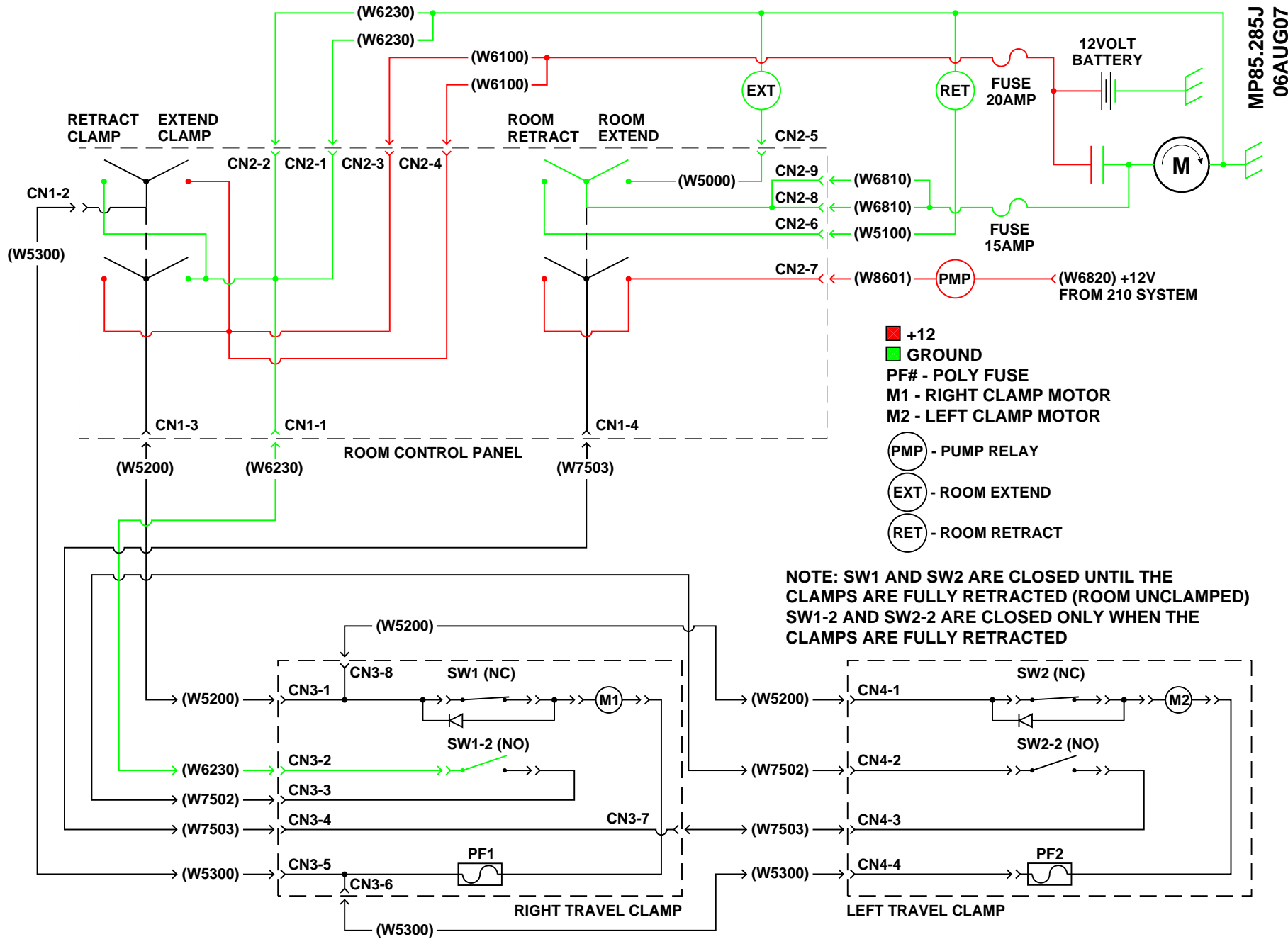
(REVERSE) ROOM EXTENSION CONTROL PANEL



TRAVEL CLAMP SWITCH CONNECTIONS

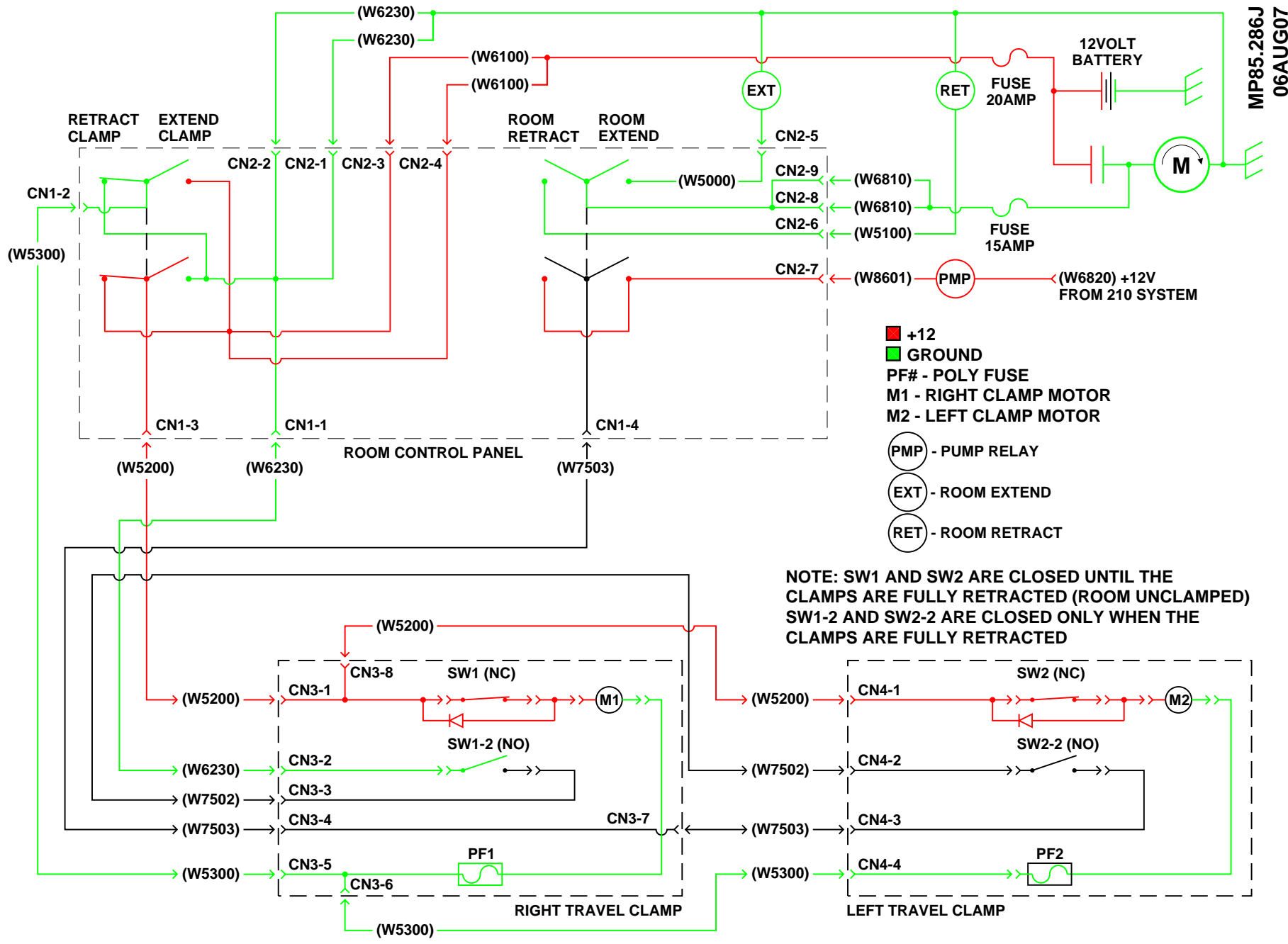


ROOM RETRACTED  
CLAMP EXTENDED (ROOM CLAMPED)  
210 LEVELING SYSTEM PANEL ON

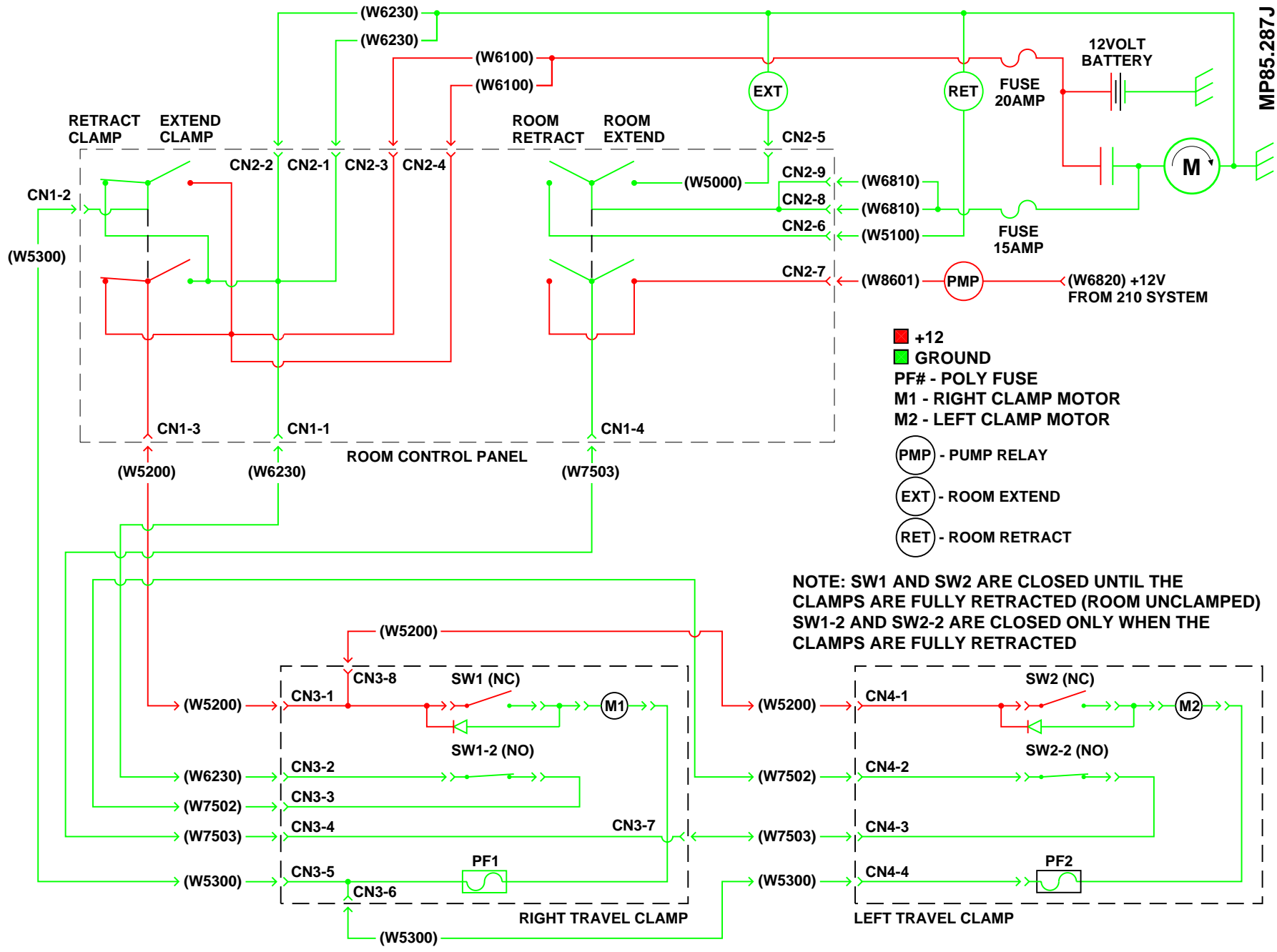


MP85.285J  
06AUG07

**ROOM RETRACTED**  
**CLAMP SWITCH PUSHED TO RETRACT CLAMP**  
**CLAMP RETRACTING (UNCLAMP ROOM)**



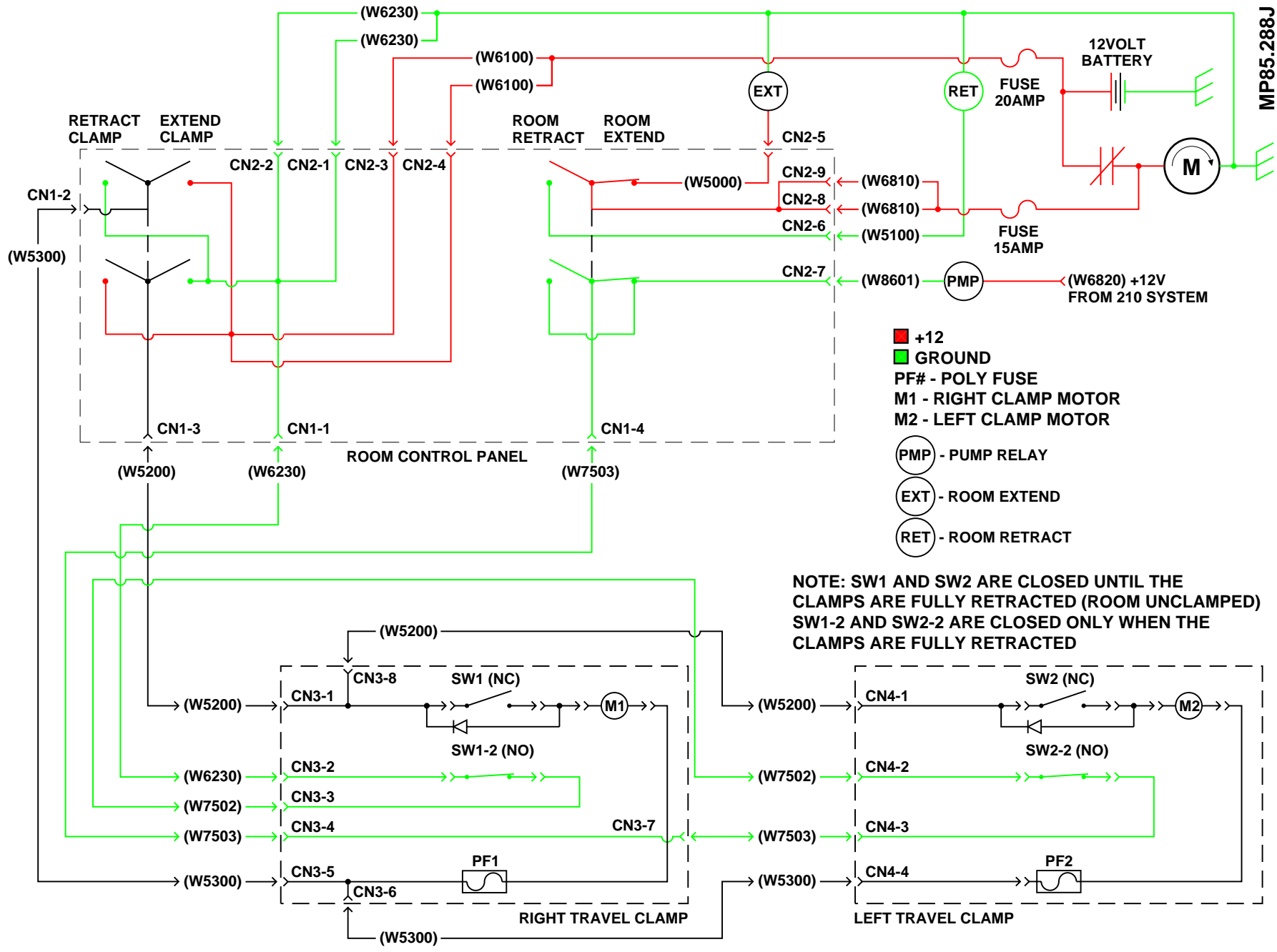
ROOM RETRACTED  
CLAMP SWITCH PUSHED TO RETRACT CLAMP  
CLAMP FULLY RETRACTED



- +12
- GROUND
- PF# - POLY FUSE
- M1 - RIGHT CLAMP MOTOR
- M2 - LEFT CLAMP MOTOR
- (PMP) - PUMP RELAY
- (EXT) - ROOM EXTEND
- (RET) - ROOM RETRACT

NOTE: SW1 AND SW2 ARE CLOSED UNTIL THE CLAMPS ARE FULLY RETRACTED (ROOM UNCLAMPED)  
SW1-2 AND SW2-2 ARE CLOSED ONLY WHEN THE CLAMPS ARE FULLY RETRACTED

ROOM RETRACTED  
 ROOM CONTROL SWITCH PUSHED TO EXTEND  
 ROOM EXTENDS

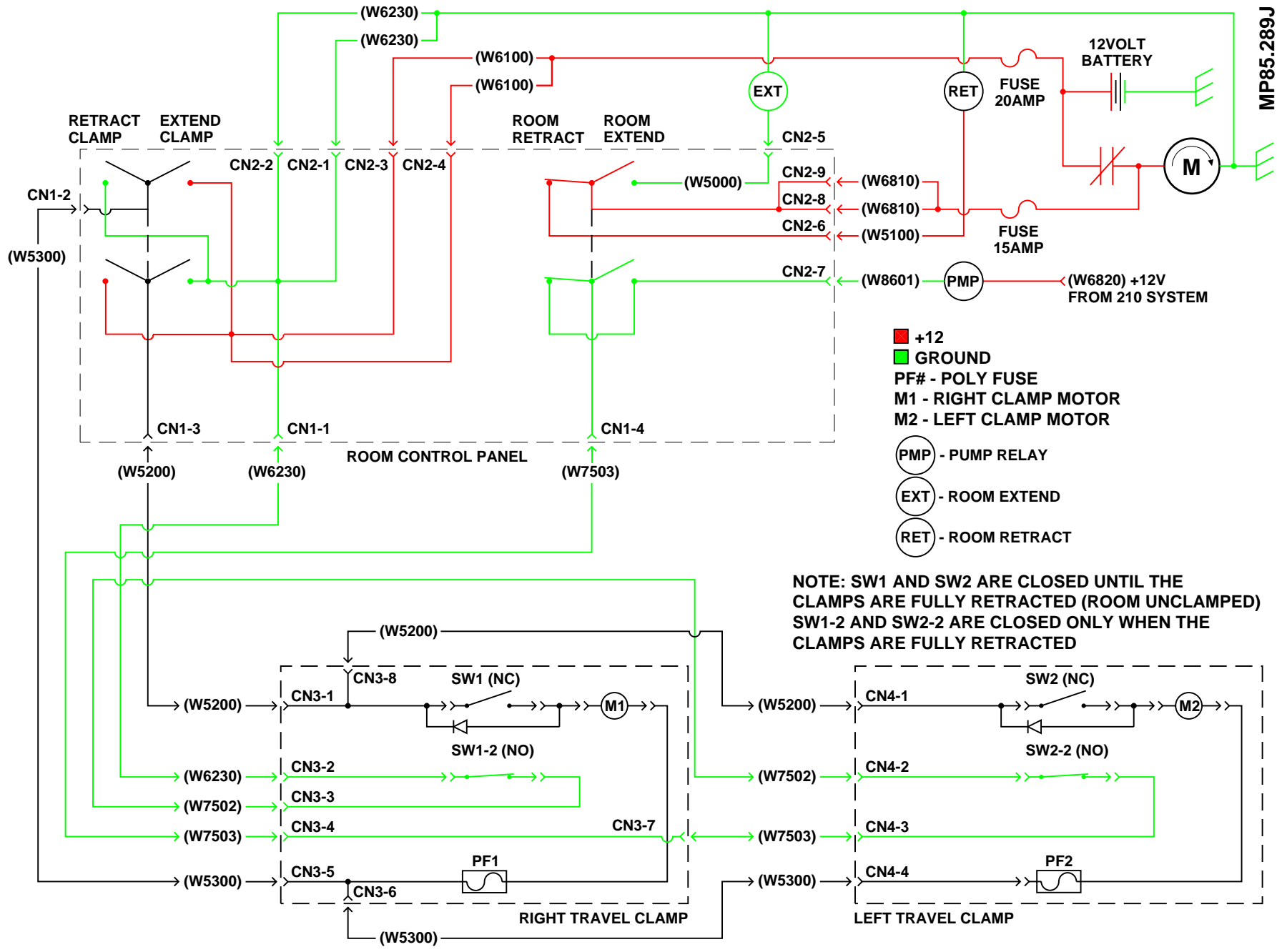


NOTE: SW1 AND SW2 ARE CLOSED UNTIL THE CLAMPS ARE FULLY RETRACTED (ROOM UNCLAMPED)  
 SW1-2 AND SW2-2 ARE CLOSED ONLY WHEN THE CLAMPS ARE FULLY RETRACTED

MP85.288J  
 06AUG07



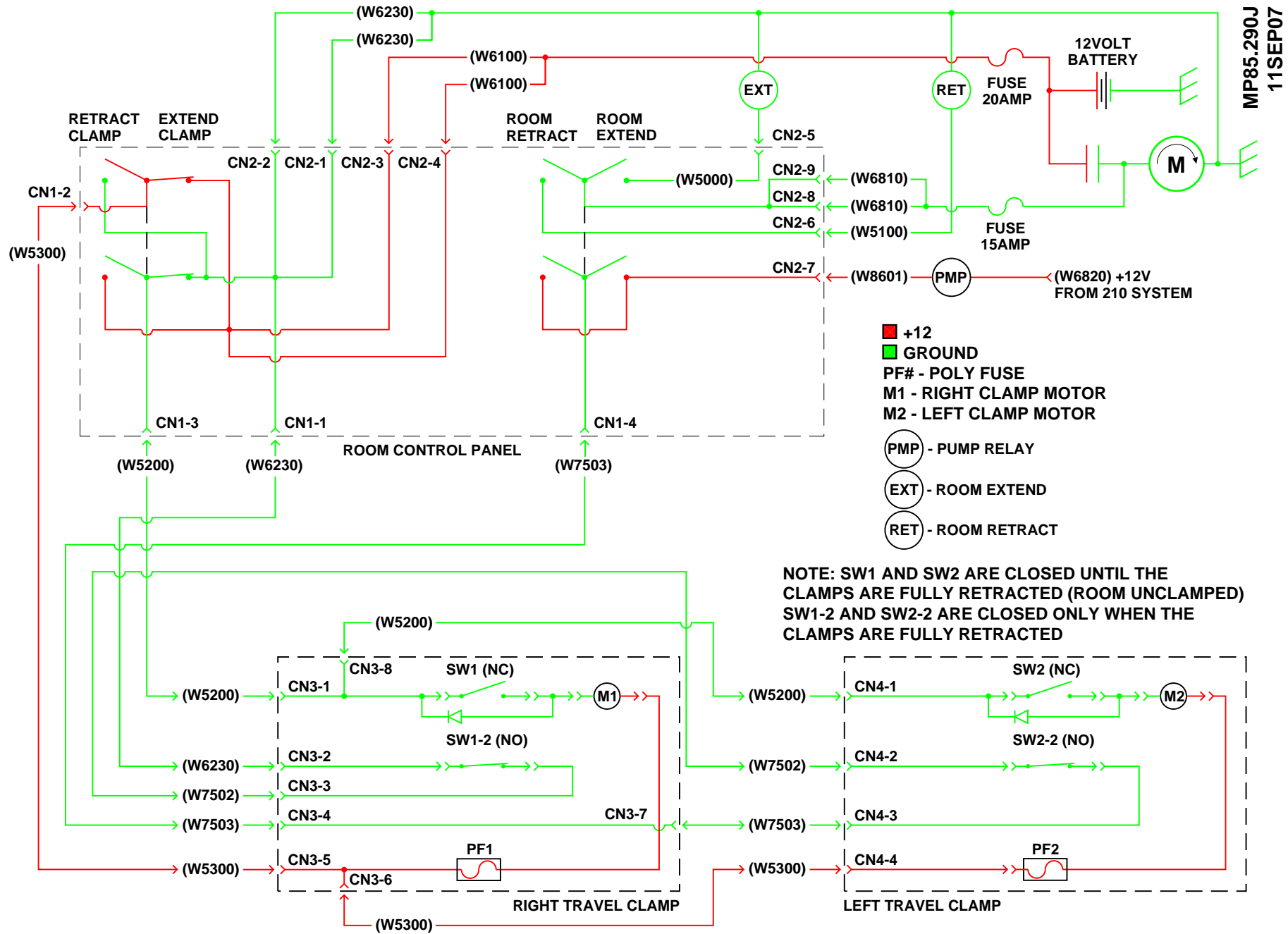
ROOM EXTENDED  
ROOM CONTROL SWITCH PUSHED TO RETRACT  
ROOM RETRACTING



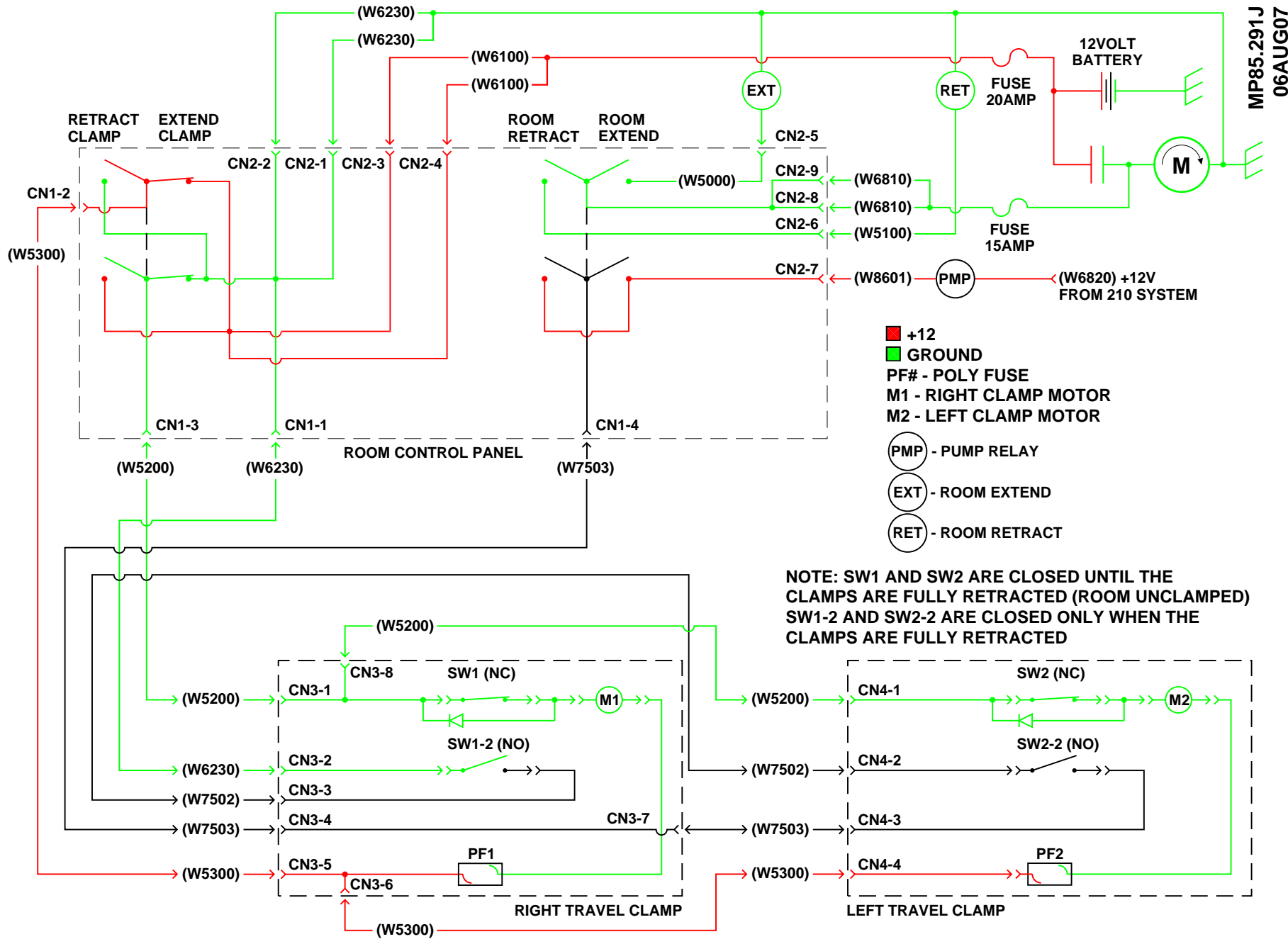
- +12
- GROUND
- PF# - POLY FUSE
- M1 - RIGHT CLAMP MOTOR
- M2 - LEFT CLAMP MOTOR
- (PMP) - PUMP RELAY
- (EXT) - ROOM EXTEND
- (RET) - ROOM RETRACT

NOTE: SW1 AND SW2 ARE CLOSED UNTIL THE CLAMPS ARE FULLY RETRACTED (ROOM UNCLAMPED)  
SW1-2 AND SW2-2 ARE CLOSED ONLY WHEN THE CLAMPS ARE FULLY RETRACTED

ROOM RETRACTED  
CLAMP SWITCH PUSHED TO EXTEND CLAMP  
CLAMP EXTENDING (CLAMP ROOM)



ROOM RETRACTED  
CLAMP SWITCH PUSHED TO EXTEND CLAMP  
CLAMP EXTENDING (CLAMP ROOM)



MP85.291J  
06AUG07