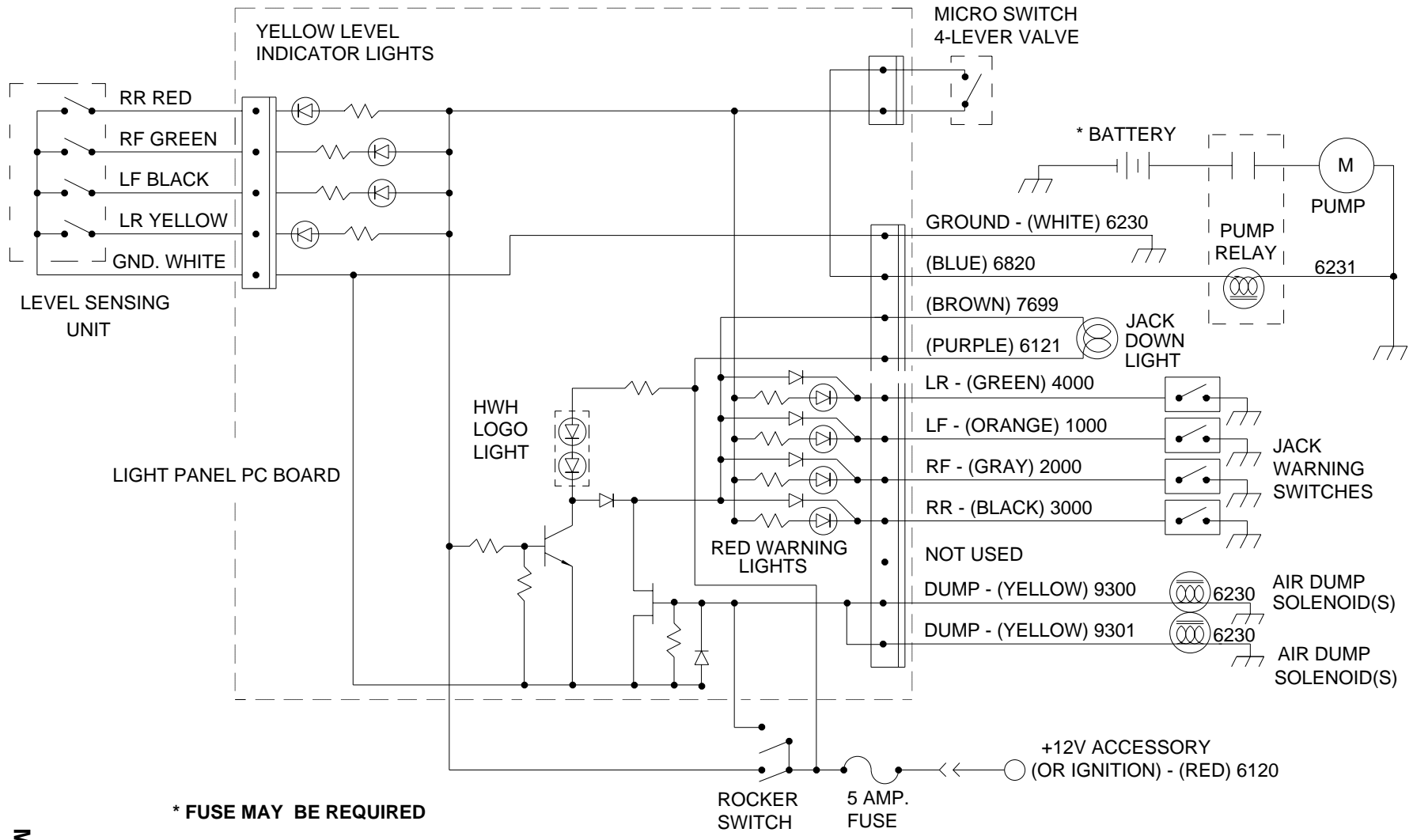


ELECTRICAL SCHEMATIC
LIGHT PANEL 100/110 SERIES LEVELING SYSTEM
LIGHT PANEL (INTEGRATED OR REMOTE 4-LEVER SYSTEM
KICK-DOWN JACKS WITH AIR DUMP FEATURE



*** FUSE MAY BE REQUIRED**
CHECK APPLICABLE CODE.

MP85.9910
10FEB99