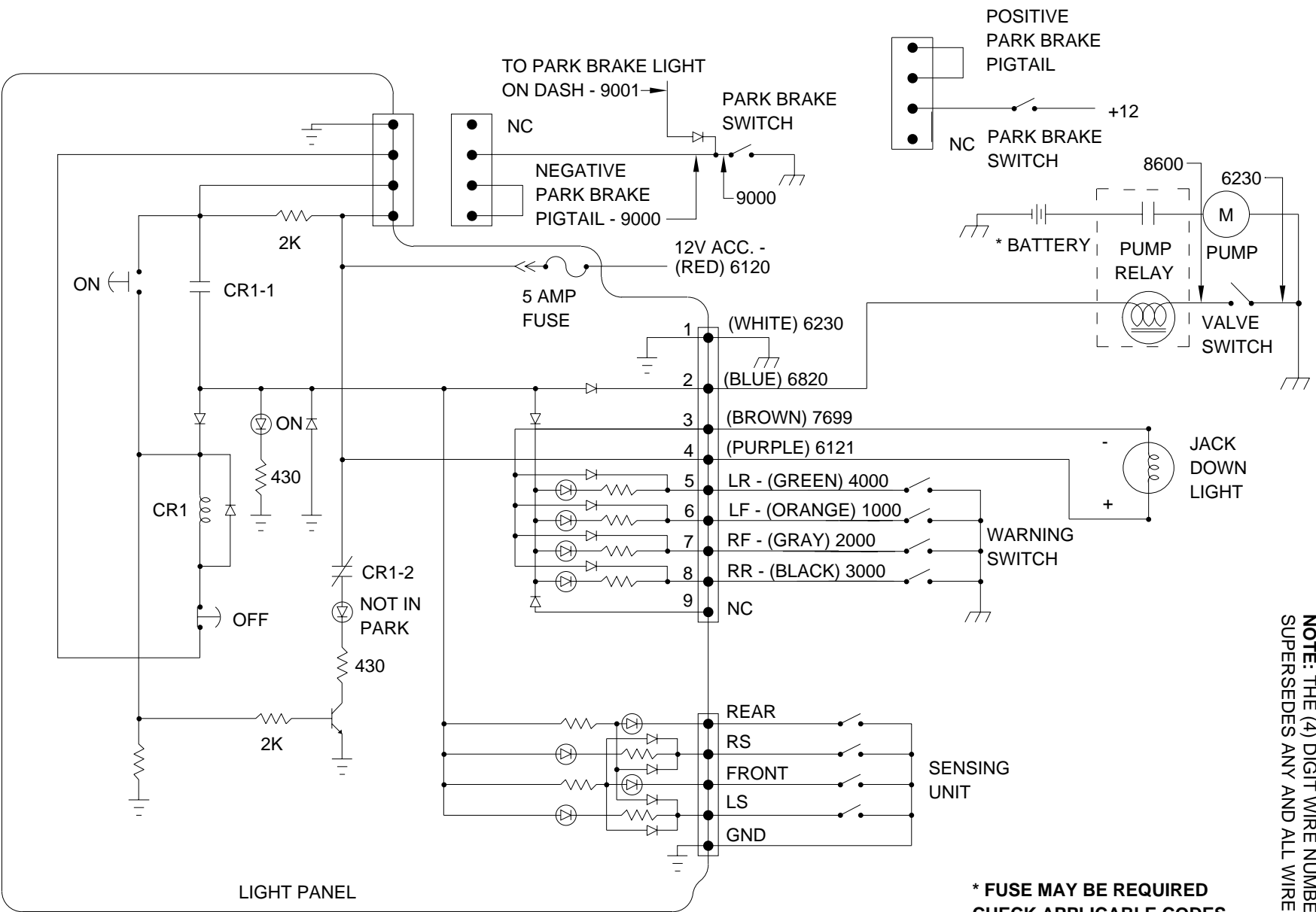


ELECTRICAL SCHEMATIC 200 SERIES LEVELING SYSTEM LIGHT PANEL KICK-DOWN JACKS WITHOUT AIR DUMP FEATURE



NOTE: THE (4) DIGIT WIRE NUMBER
SUPERSEDES ANY AND ALL WIRE COLORS.