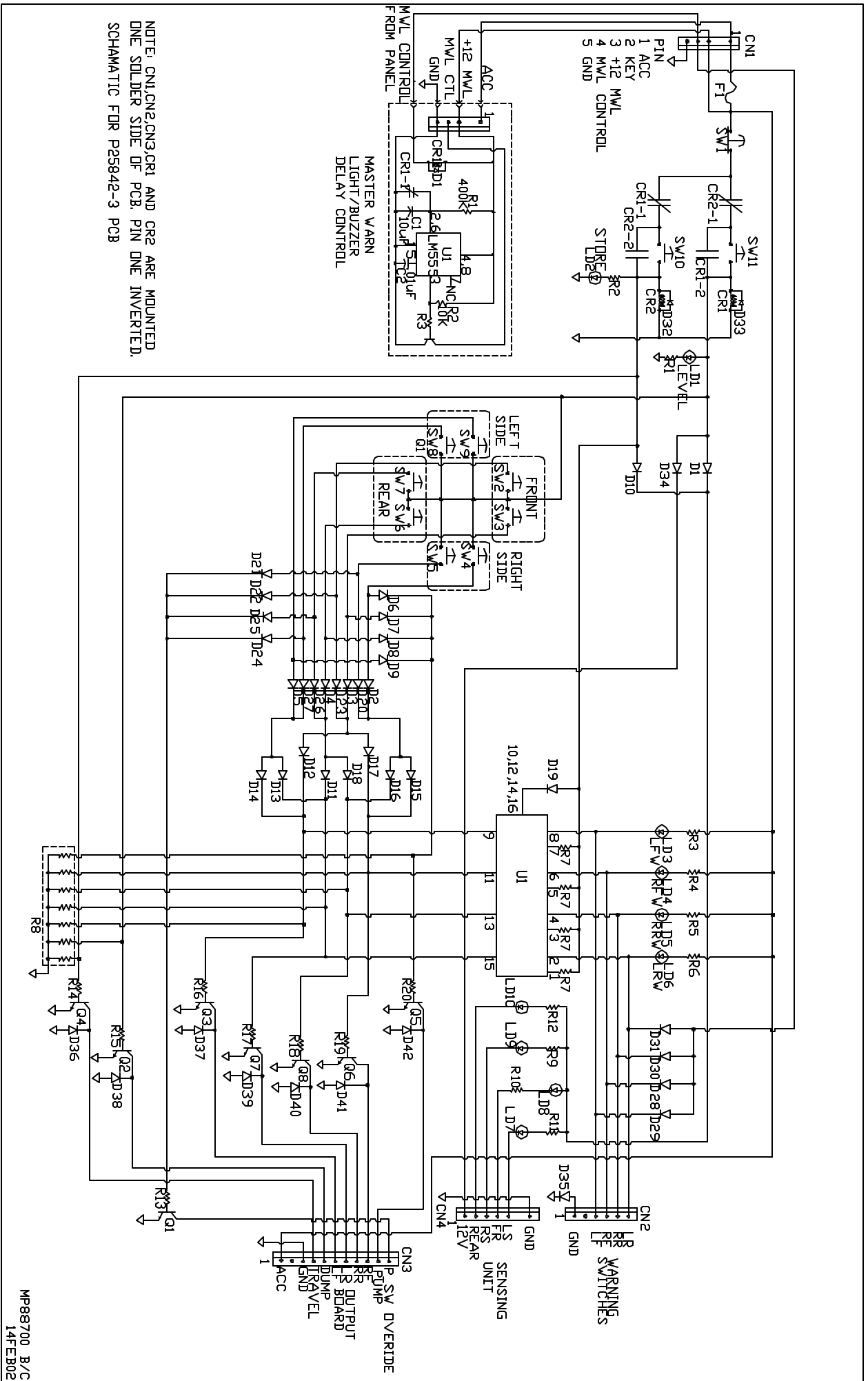


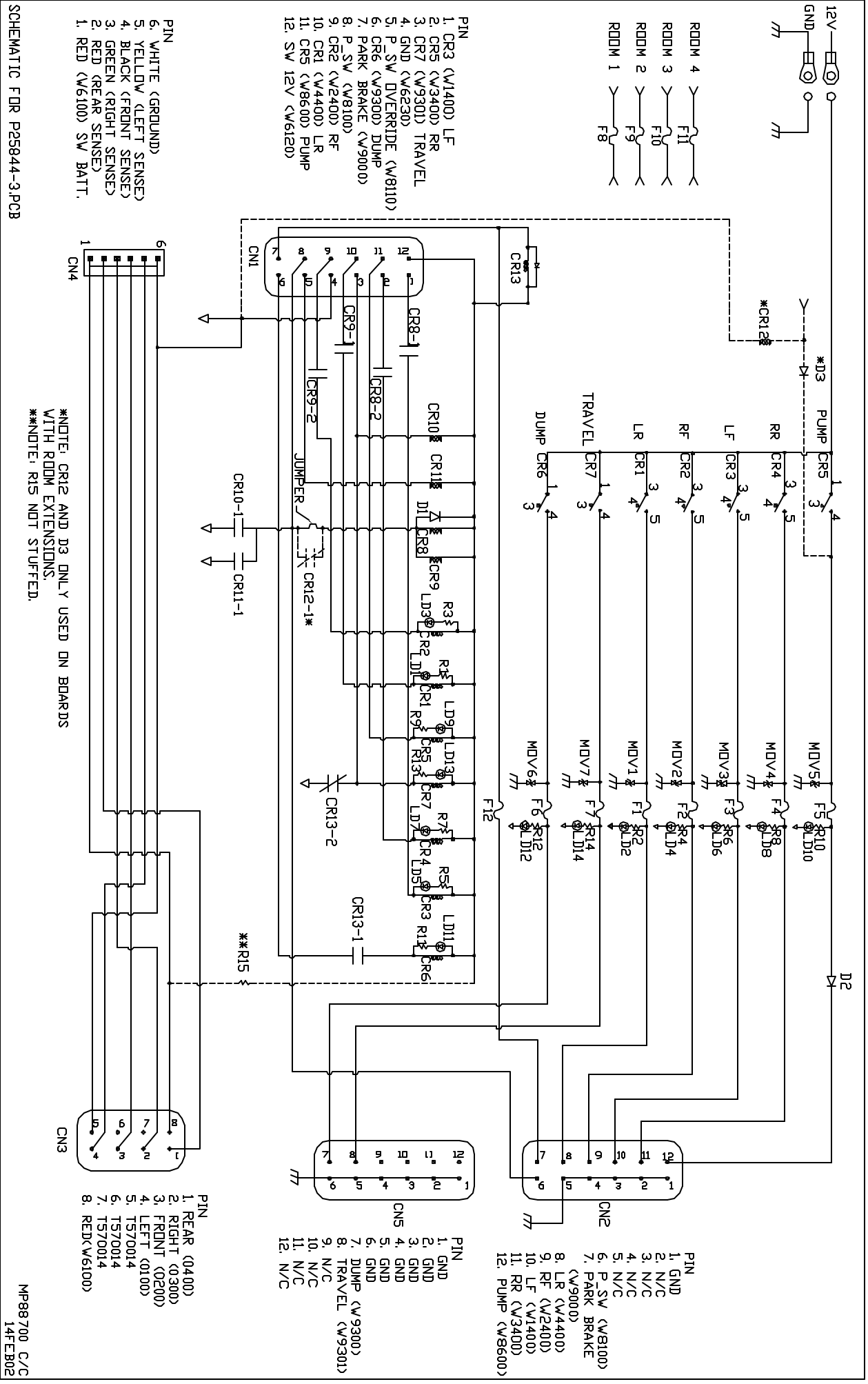
| | | |
|-----|------------|-------------------|
| NO. | DATE | REVISION |
| 1 | 06-JUNE-02 | ADDED TRANSISTORS |
| 2 | 12-AUG-02 | ADDED RELAY BRD |

HWH 1-80 EXIT 267 SOUTH
 RT 1 MOSCOW, IOWA 52760
 SCALE 1:1 DATE 20AUG01 DRAWN BY
 SCHEMATIC MANUAL PANEL
 DRAWING NUMBER MP88700A/C

THE INFORMATION DISCLOSED ON THIS DRAWING IS CONFIDENTIAL AND MUST NOT BE DISCLOSED OR USED IN ANY MANNER WHICH WILL BE DETRIMENTAL TO THE HWI CORPORATION



NOTE: CN1, CN2, CN3, CR1 AND CR2 ARE MOUNTED ON ONE SOLDER SIDE OF PCB. PIN ONE INVERTED. SCHAMATIC FOR P25842-3 PCB



- ROOM 4 > F11
- ROOM 3 > F10
- ROOM 2 > F9
- ROOM 1 > F8

- PIN
- 1. CR3 (W1400) LF
- 2. CR5 (W3400) RR
- 3. CR7 (W9300) TRAVEL
- 4. GND (W6230)
- 5. P. SW. OVERRIDE (W8110)
- 6. CR6 (W9300) DUMP
- 7. PARK BRAKE (W9000)
- 8. P. SW. (W8100)
- 9. CR2 (W2400) RF
- 10. CR1 (W4400) LR
- 11. CR5 (W8600) PUMP
- 12. SW. 12V (W6120)

- PIN
- 6. WHITE (GROUND)
- 5. YELLOW (LEFT SENSE)
- 4. BLACK (FRONT SENSE)
- 3. GREEN (RIGHT SENSE)
- 2. RED (REAR SENSE)
- 1. RED (W6100) SW. BA1TT.

- PIN
- 1. GND
- 2. N/C
- 3. N/C
- 4. N/C
- 5. N/C
- 6. P. SW. (W8100) (W9000)
- 7. PARK BRAKE (W9000)
- 8. LR (W4400)
- 9. RF (W2400)
- 10. LF (W1400)
- 11. RR (W3400)
- 12. PUMP (W8600)

- PIN
- 1. GND
- 2. GND
- 3. GND
- 4. GND
- 5. GND
- 6. GND
- 7. DUMP (W9300)
- 8. TRAVEL (W9300)
- 9. N/C
- 10. N/C
- 11. N/C
- 12. N/C

- PIN
- 1. REAR (0400)
- 2. RIGHT (0300)
- 3. FRONT (0200)
- 4. LEFT (0100)
- 5. T570014
- 6. T570014
- 7. T570014
- 8. REDX (W6100)

*NOTE: CR12 AND D3 ONLY USED ON BOARDS WITH ROOM EXTENSIONS.
 **NOTE: R15 NOT STUFFED.