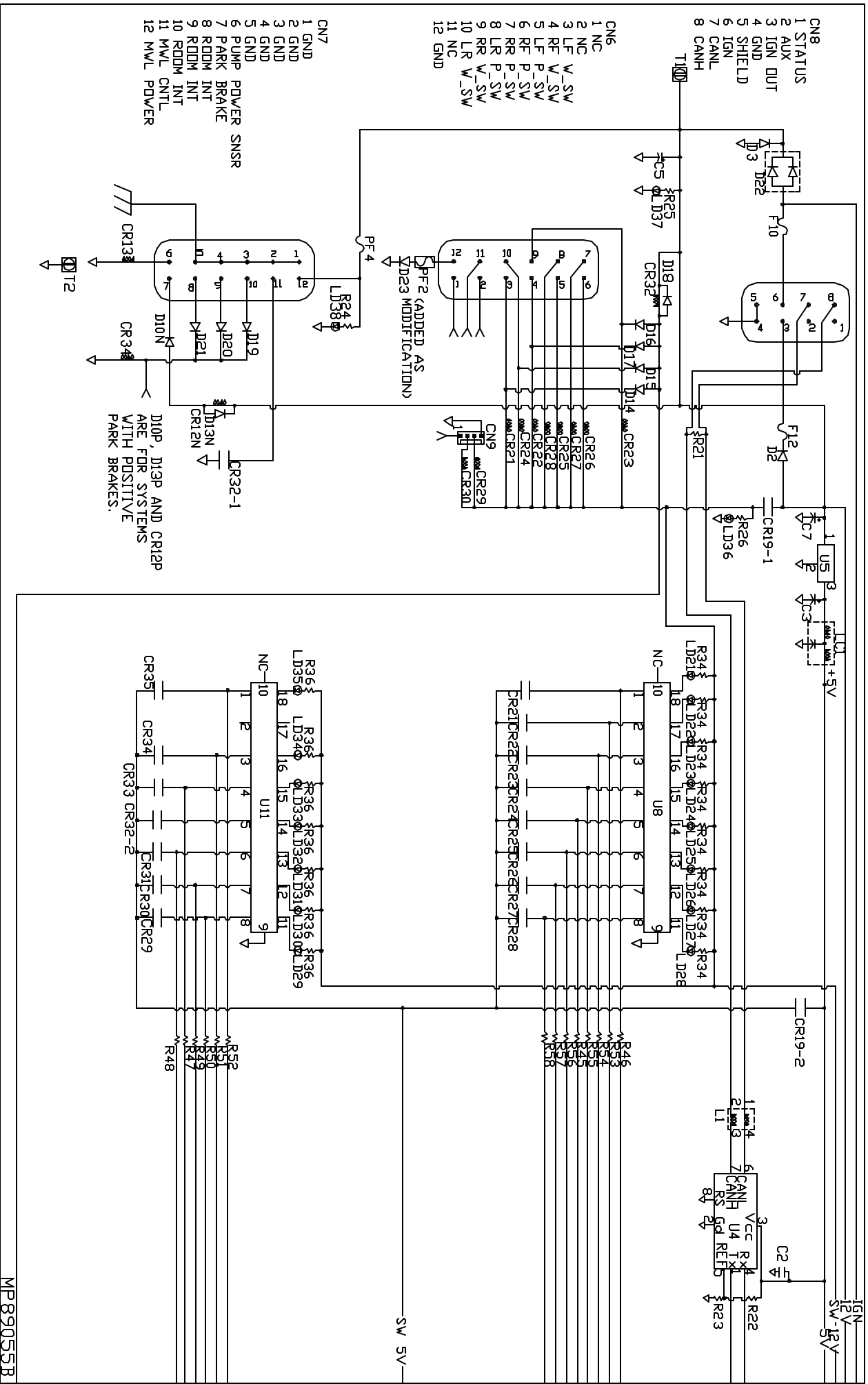


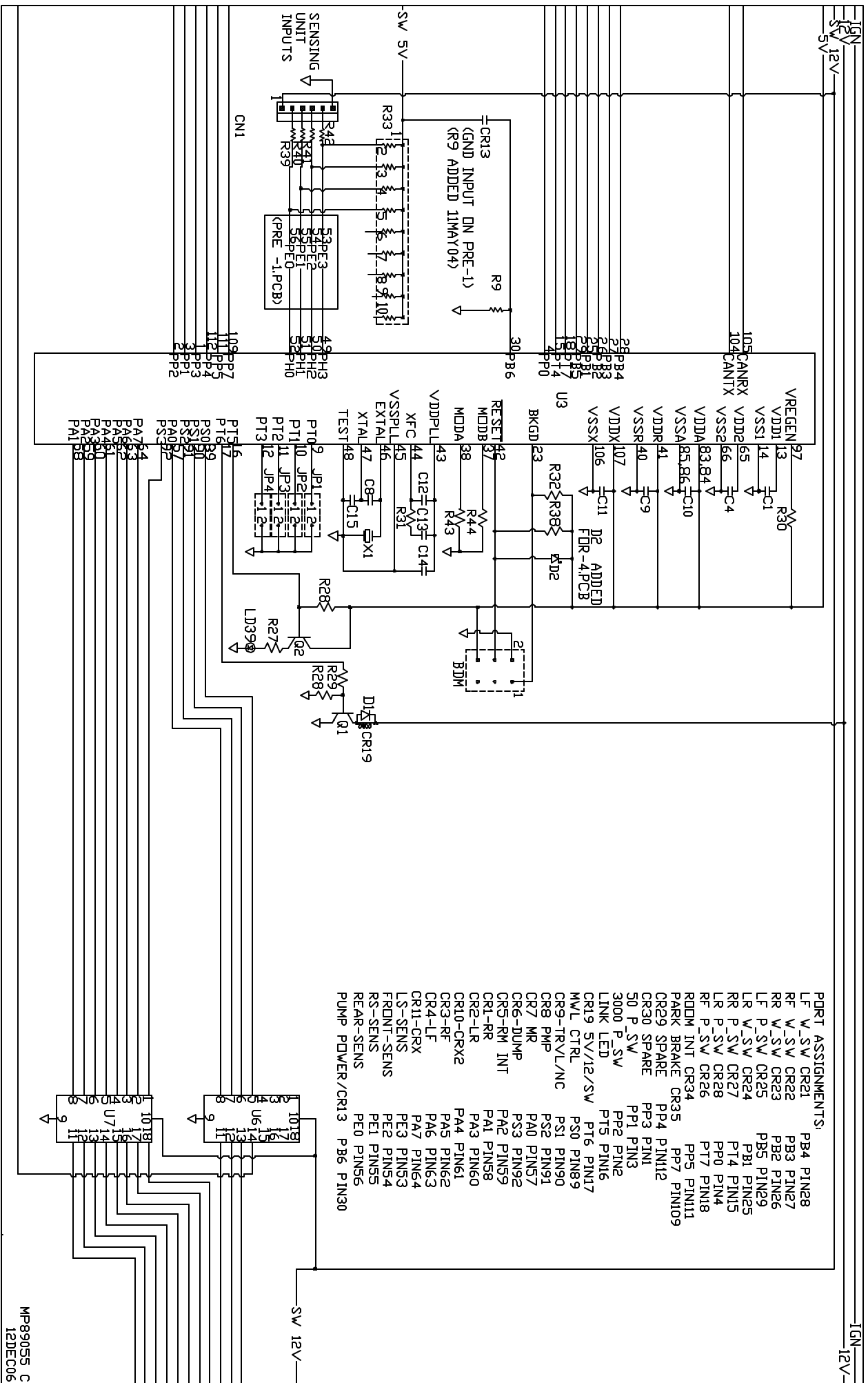
NO.	DATE	REVISION
1	12DEC06	RESTORED TO -2PCB

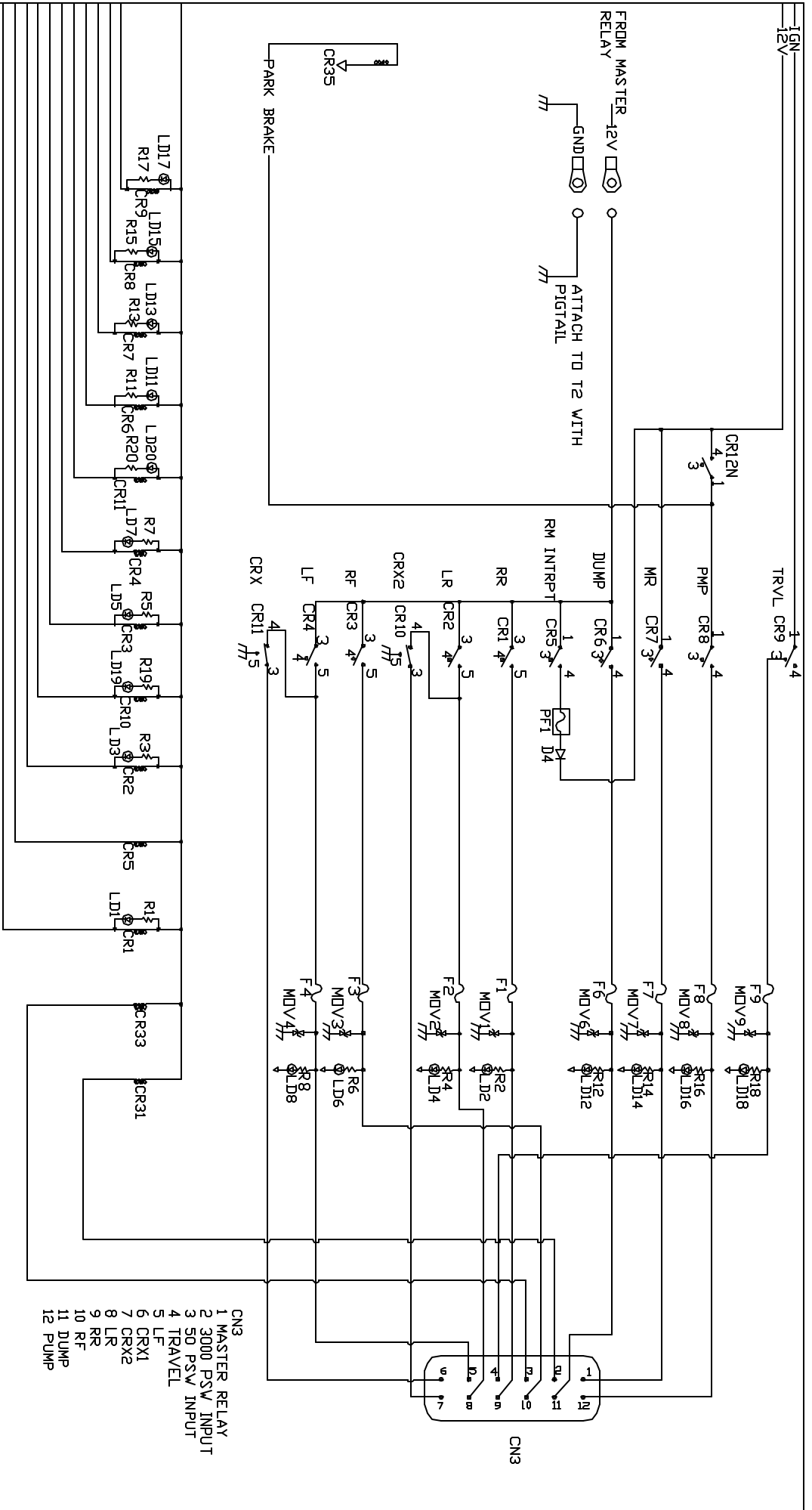
<p>HW H</p> <p>1-80 EXT 267 SOUTH RT 1 MOSCOW, IOWA 52760</p>	<p>SCALE 1:1</p> <p>DATE 06MAY03</p> <p>BRANN JR.</p>	<p>PCB CAN HYD</p>	<p>DRAWING NUMBER</p> <p>MP89055 A/D</p>
---	---	--------------------	--

THE INFORMATION DISCLOSED IN THIS DRAWING IS CONFIDENTIAL AND MUST NOT BE DISCLOSED OR USED IN ANY MANNER WHICH WILL BE DETRIMENTAL TO THE HWI CORPORATION



MP 89055B





NOTE: FOR P30851.PCB

MP89055D